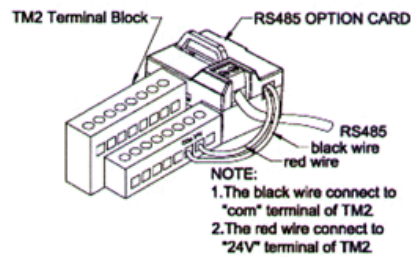


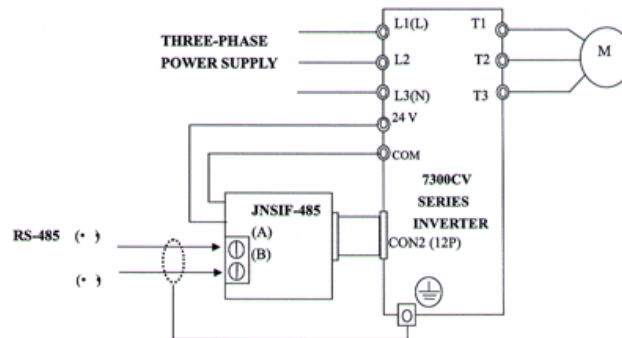
Article number: 10596485

Description: RS-485 interface JNSIF-485
for Teco 7300 CV

Measures



JNSIF-485 Wiring Diagram • •



- **Note:**
Please put on the cover of inverter to avoid the Interface Card disturbed by outside static electricity.
Please using isolated RS232 / RS485 converter to link PC and interface card to avoid damage equipment.

Note = Se monteringsvejledning